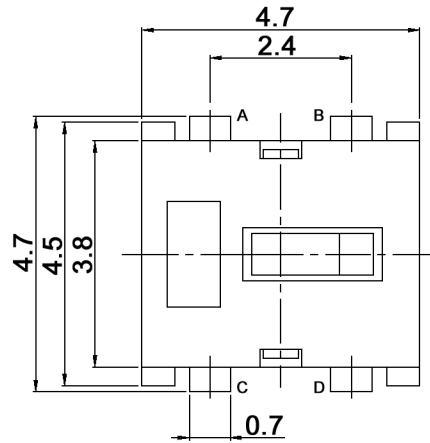
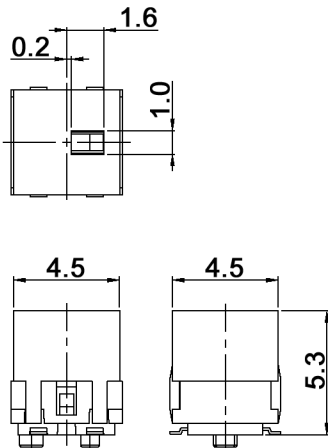
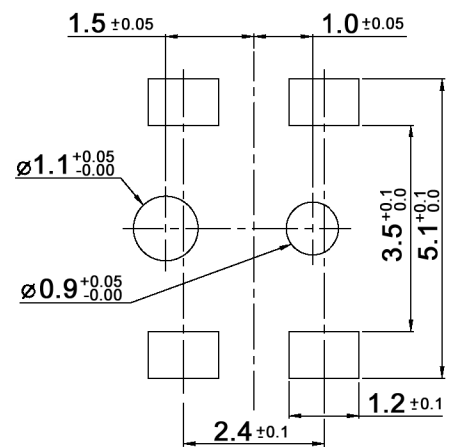


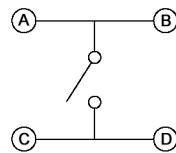
DUST COVER



P.C.B. LAYOUT



CIRCUIT DIAGRAM



Compliance: RohS II (2011/65/EU)

Tolerances: max. ±0.20mm	Date	Name
	11/14	dr
Temperatures	07/15	dr
Material terminal	01/15	dr
Modifications	Date	Name

DTS 312 CP-T

30 32 22

knitter-switch

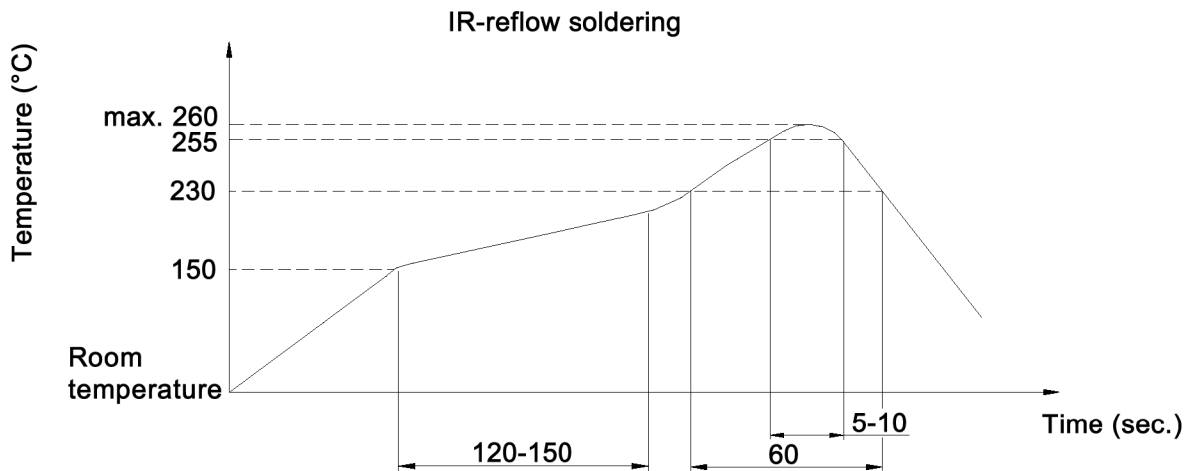
Page

1/2

Specifications:

Contact rating: 1mA, 5V DC
 Contact resistance: 1Ohm max.
 Insulation resistance: 100MOhm min. at 100V DC for 1 minute +/-5sec.
 Dielectric strength: 100V AC (50/60Hz) for 1 minute
 Operating temperature: -40°C to +85°C
 Storage temperature: -40°C to +85°C
 Electrical life: 100 000 cycles min.
 Operating force: 40gf max.
 Material: Terminal: phosphor bronze, silver plated
 Base: high-temp. thermoplastic PA9T, molded black
 Contact: stainless steel, silver cladding
 Stem / cover: high-temp. thermoplastic LCP, molded black

Soldering conditions:



Compliance: RohS II (2011/65/EU)

Tolerances: max. ±0.20mm	Date	Name	DTS 312 CP-T
	11/14	dr	
			knitter-switch
			30 32 22
			Page
			2/2
Modifications	Date	Name	